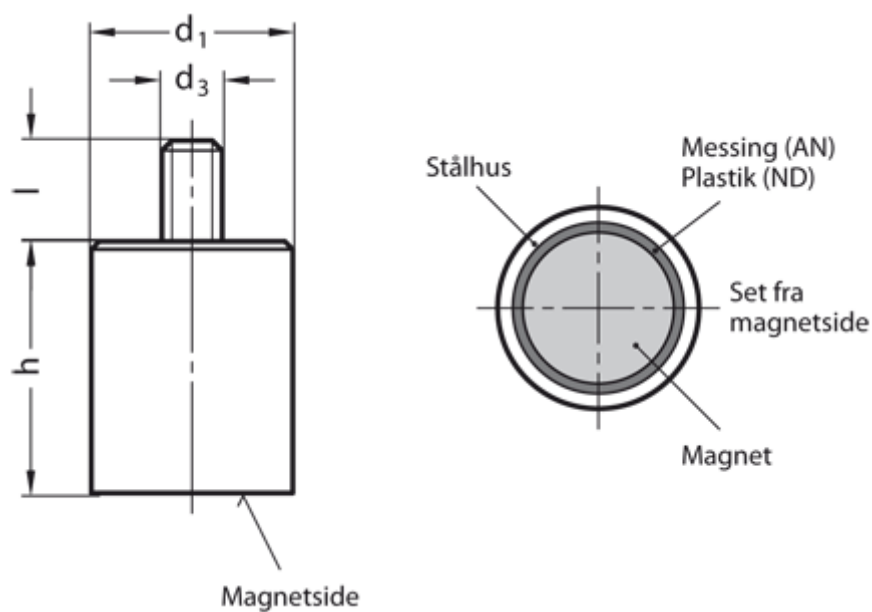


Article number: 201242411

Description: E+G Retaining magnets with threaded stud GN 52.4-ND-20-M6-E
Neodymium, iron, boron - 80° C, 135N

Measures



d_1 = 20

d_3 = M6

h = 25 ±0,2

Holding force N = 135.0

l = 10

Material = ND Neodym, iron, boron, 80°C